

ROOM AIR CONDITIONER WINDOW TYPE

INSTALLATION INSTRUCTION SHEET

(PART NO. 9373174011)

This air conditioner uses new refrigerant HFC (R410A).

The installation work procedures are the same as conventional refrigerant (R22) models.

For authorized service personnel only.

WARNING

- ① For the room air conditioner to operate satisfactorily, install it as outlined in this installation instruction sheet.
- ② This installation instruction sheet describes the correct connections using the installation set available from our standard parts.
- ③ Have installation work done by authorized service personnel only.
- ④ Never cut the power cord, lengthen or shorten the cord, or change the plug.
- ⑤ Also do not use an extension cord.
- ⑥ Plug in the power cord plug firmly. If the receptacle is loose, repair it before using the room air conditioner.
- ⑦ Do not turn on the power until all installation work is complete.

- Be careful not to scratch the air conditioner when handling it.
- After installation, explain correct operation to the customer, using the operating manual.
- Let the customer keep this installation instruction sheet because it is used when the air conditioner is serviced or moved.
- When repositioning the air conditioner due to renovations, or when transferring to a different location, the removal and reinstallation of the unit requires an additional service charge. Please consult authorized service personnel before moving.

SELECTING THE MOUNTING POSITION

WARNING

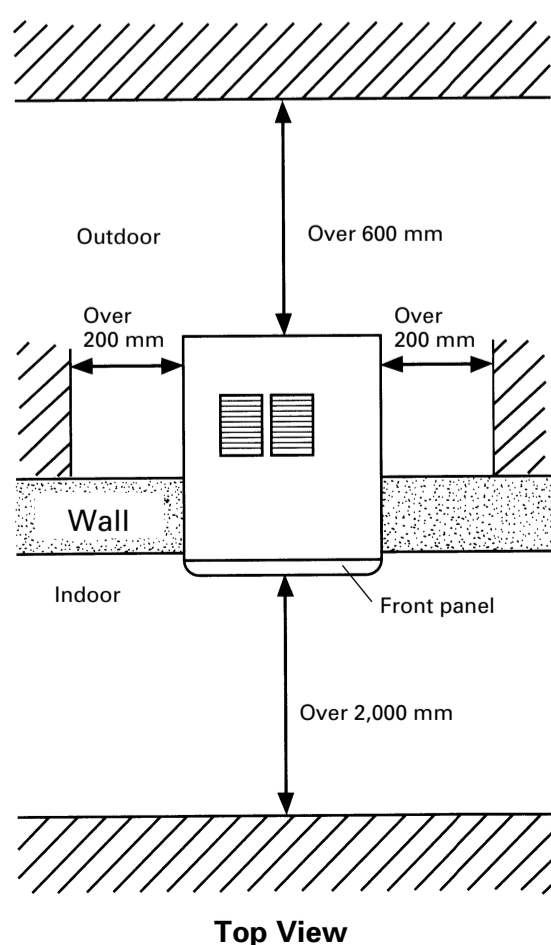
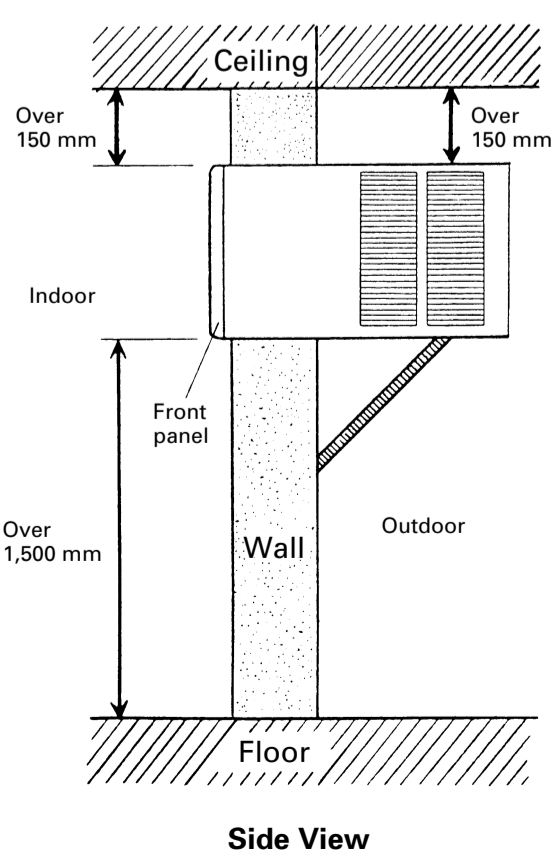
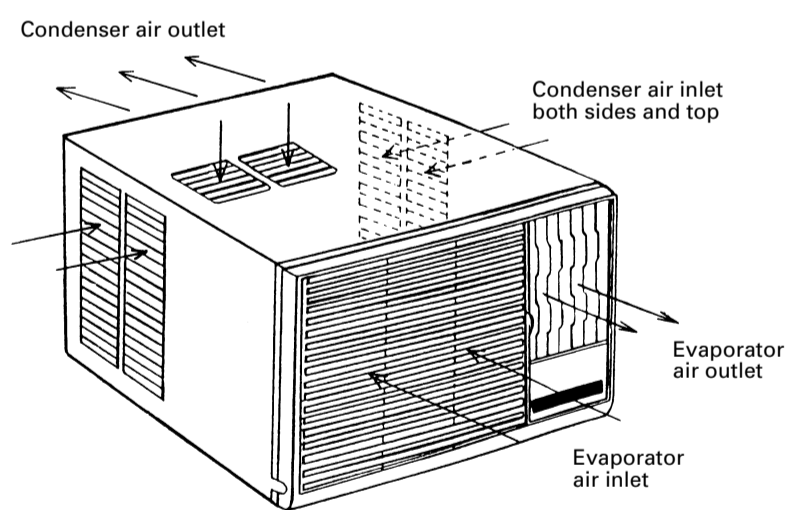
Install at a place that can withstand the weight of the air conditioner unit and install positively so that the unit will not topple or fall.

CAUTION

- ① Do not install where there is the danger of combustible gas leakage or near heat sources.
- ② Using in locations where the air is salty such as beside the sea or near hot spring may lead to a malfunction.
- ③ Install in a dry place where there are no draughts.
- ④ When installing the air conditioner unit, take precautions to prevent access to infants. Unexpected accidents could occur.
- ⑤ Condensation from the air conditioner must be drained to an appropriate location.
- ⑥ Make the installation hole slightly bigger than cabinet size.
- ⑦ Install so that the plug is easily accessible and can be disconnected from the electrical supply.

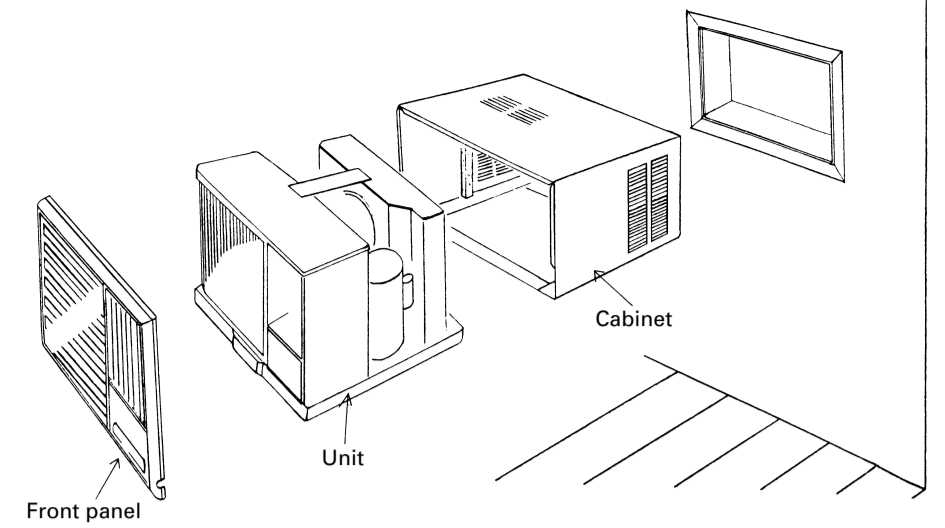
- Especially, the installation place is very important for the window type air conditioner because it is very difficult to move from place to place after the first installation. Decide the mounting position together with the customer as follows:

- (1) Select a place where cool air emitted from the air conditioner circulates evenly, reaching every part of the room. Make sure that no obstacles both inside and outside the room prevent the airflow.
- (2) Where practicable, locate the air conditioner with the lower edge of the cabinet approx. 1,500 mm or more from the floor. This usually gives the optimum air circulation pattern within the room for cooling.
- (3) Mounting must be strong enough to support the weight of the air conditioner with sufficient rigidity to prevent vibration being transmitted to windows and the like.
- (4) Where the area around the unit is unobstructed.



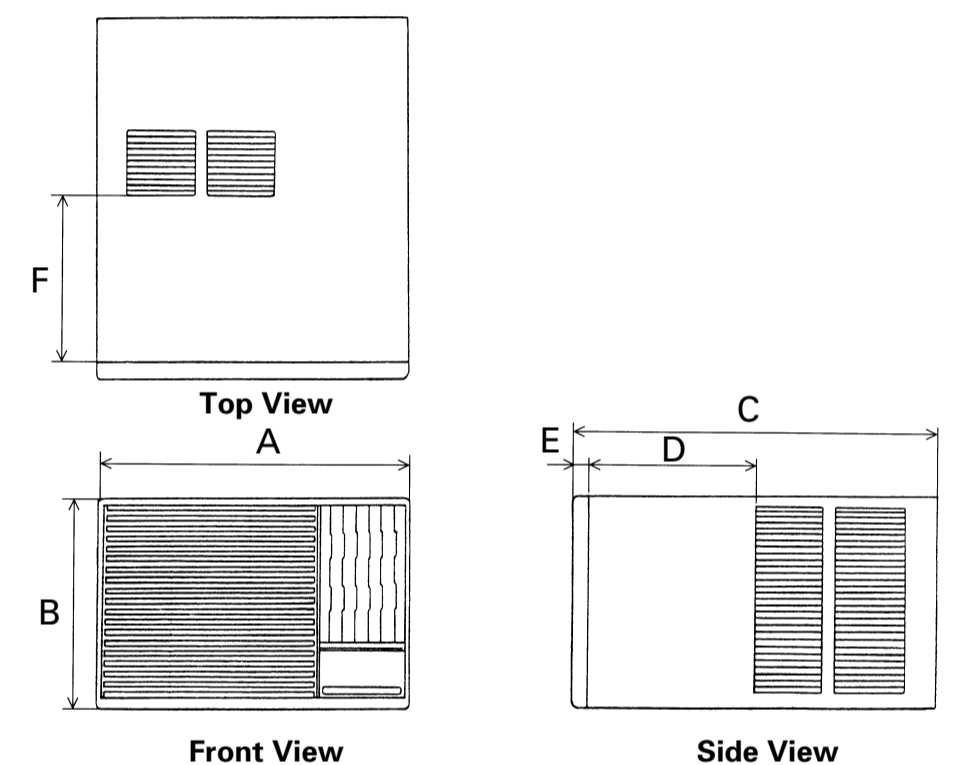
STANDARD PARTS

The following installation parts are furnished. Use them as required.



No.	Name and Shape	Q'ty	Application
①	Screw (long)	1	For installing the front panel.
②	Screw (short)	2	For installing the drain boat. (REVERSE CYCLE TYPE)
③	Gasket	1	For filling up a gap between the cabinet and the bottom of the unit.
④	Drain Boat	1	For exhausting drainage from the unit. CAUTION There is a Drain Boat in polyethylene bag near the fan motor. (REVERSE CYCLE TYPE)

DIMENSIONS



A	560
B	375
C	650
D	277
E	35
F	287

Unit: mm

INSTALLATION PROCEDURE

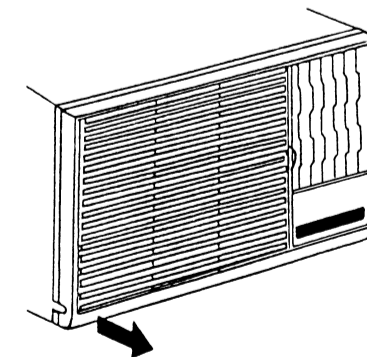
Install the room air conditioner as follows:

1

TAKING OUT THE UNIT

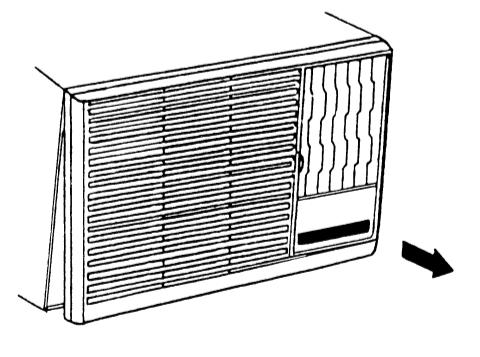
1. Remove the front panel. (Fig. 1(a), Fig. 1(b))

Fig. 1(a)



• First, remove the left side.

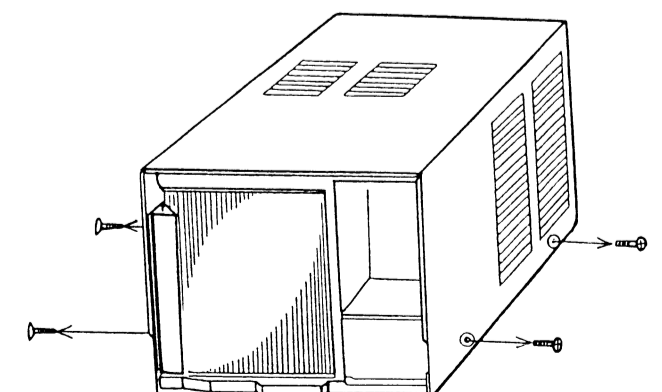
Fig. 1(b)



• Then, remove the right side.

2. Remove four screws from the cabinet. (Fig. 2)

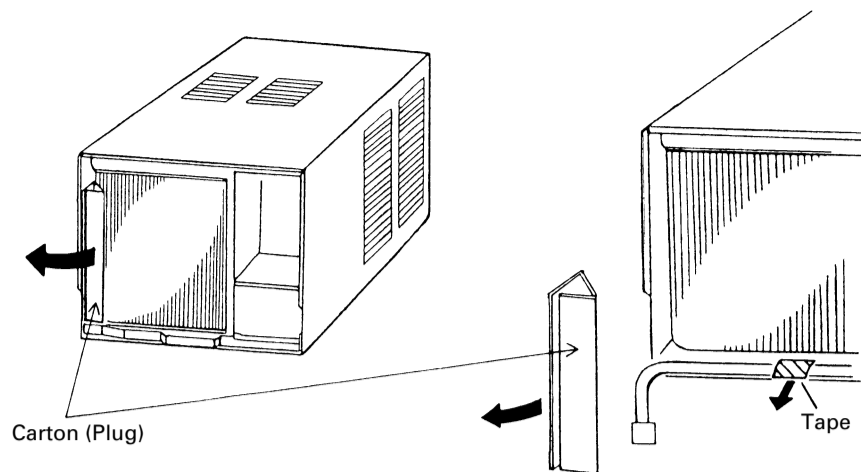
Fig. 2



NOTE:
The four screws removed are not reused.

- Remove the carton (plug). (Fig.3)
Peel off the tape.

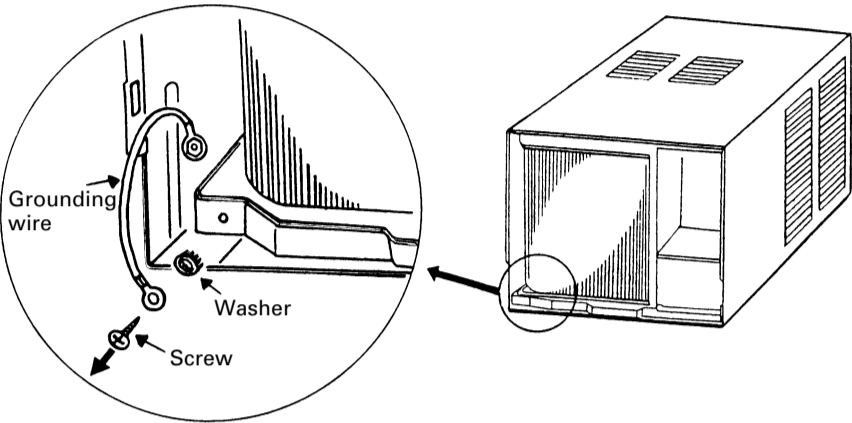
Fig. 3



NOTE:
The carton (plug) removed is not reused.

- Remove the grounding wire connecting the cabinet and base. (Fig. 4)

Fig. 4

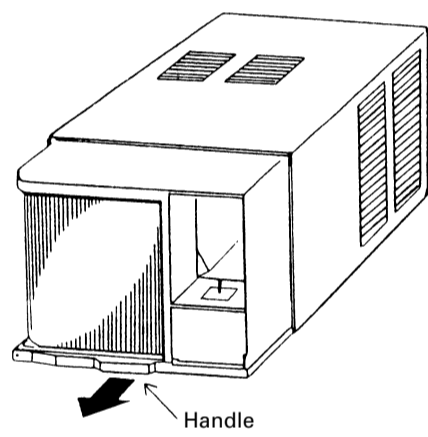


NOTE:

- When removing the grounding wire, disconnect it at the base side only.
- The removed screw and washer are used in Fig. 10 of the 3(2).

- Slide out the unit from the cabinet with handle. (Fig. 5)

Fig. 5



2

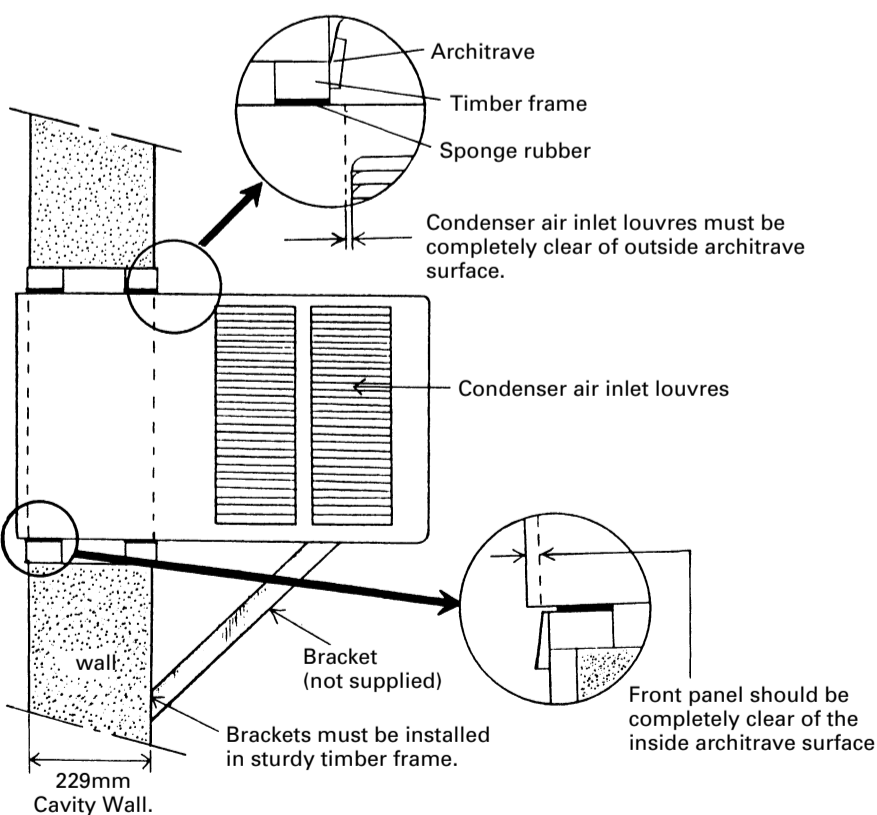
CABINET SETTING

How to make a solid timber frame

Timber frame inside dimensions are calculated by allowing for the insertion dimensions of sponge rubber used for shock prevention and sealing. Inside measurements of frame = air conditioner cabinet dimensions + twice the thickness of the rubber strip to be used. The recommended rubber strip is "Industrial Sponge Rubber 50mm wide x 6mm thick-black, Shore A Durometer hardness 20-30 Thyer Rubber Co. Pty. Ltd., Serial No. T22".

- The cabinet fitted into 229mm cavity wall. (Fig. 7(a))

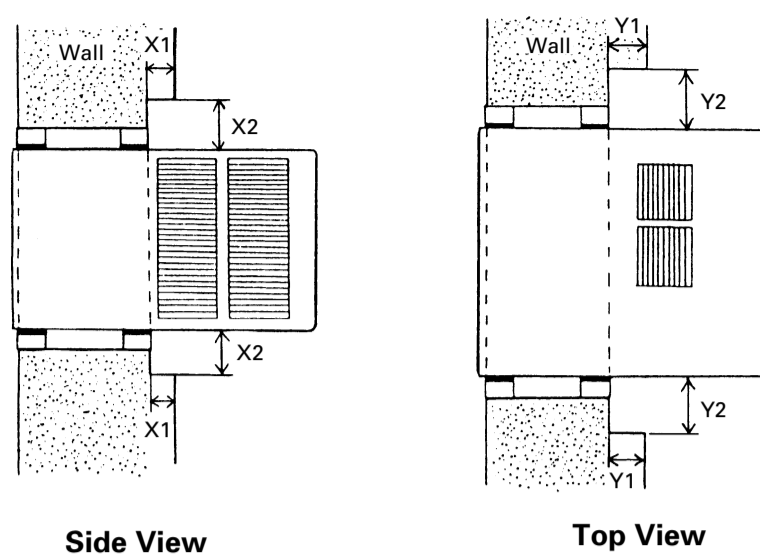
Fig. 7(a)



- Fix the cabinet to the timber frame using sponge rubber so that the condenser air inlet louvres is placed outside the wall.
- Support the cabinet in the wall with brackets and completely weather seal any gap between the cabinet and the wall. When making a hole in the thermal insulating material attached to the cabinet, be sure that the material is cut off beforehand to prevent curling.

In the case of thick wall

Fig. 7(b)

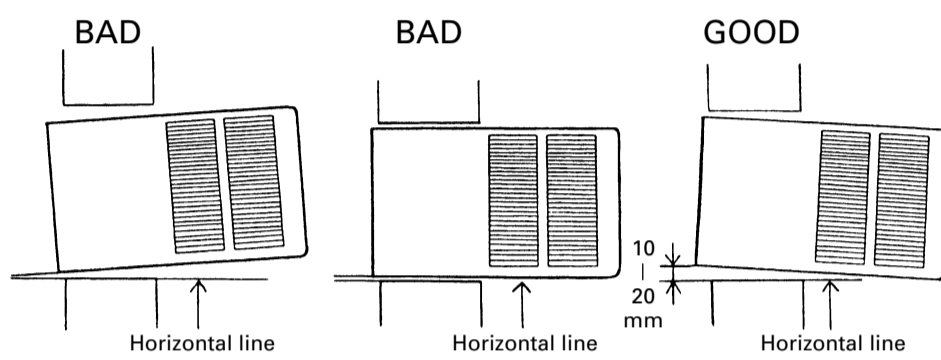


- Dimension X1 (Y1) must be such that front panel and condenser air inlet louvres are completely unrestricted.
- Dimension X2 (Y2) must be equal to or greater than dimension X1 (Y1).

CAUTION

- Front panel should be completely clear of the inside wall surface.
- In case of a thick wall as shown in Fig. 7(b), process the wall so that three condenser air inlet louvres come out outside completely.

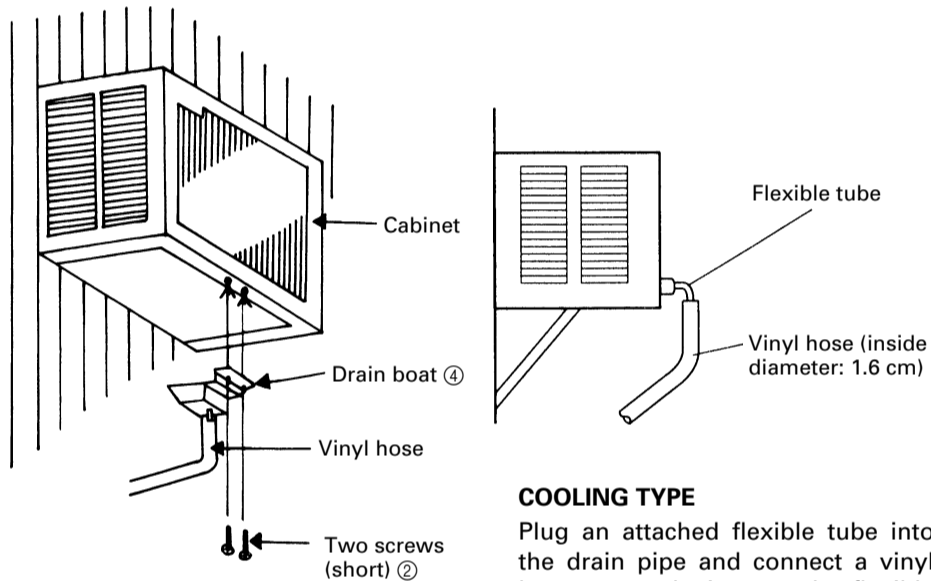
Inclination of the cabinet



- Drainage work. (Fig. 8)

Fig. 8(a)

Fig. 8(b)



REVERSE CYCLE TYPE

Fix the accessory drain boat to the bottom of cabinet and connect a vinyl hose to it for water drainage.

NOTE:

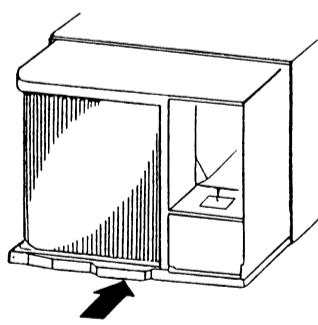
If the drainage work is abnormal (a broken pipe, an extremely long horizontal pipe, an unstraight pipe, for instance), the water may overflow the piping.

3

INSTALLING THE UNIT

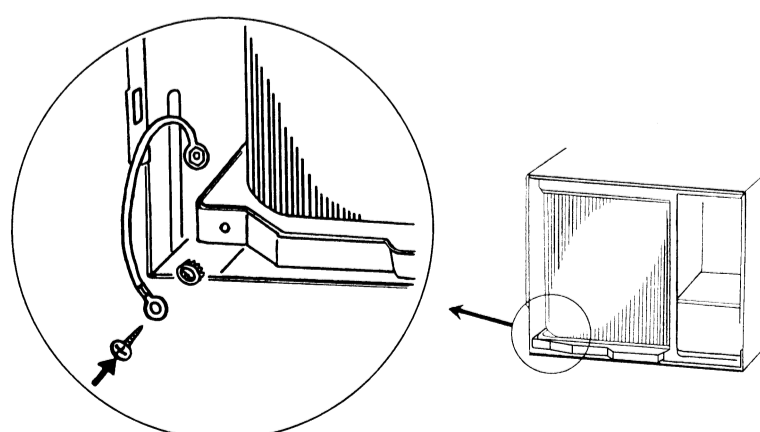
- Push the unit completely back into cabinet. (Fig. 9)

Fig. 9



- Tighten the grounding wire removed in Fig. 4. (Fig.10)

Fig. 10

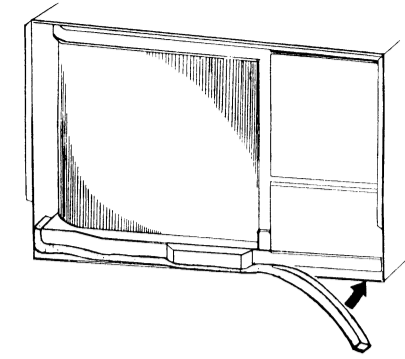


CAUTION

Be sure to install the washer removed in Fig. 4.

- Fit the attached the gasket into the space between the cabinet and the bottom of the unit with a screw driver to seal the room inside from the outside. (Fig. 11)

Fig. 11

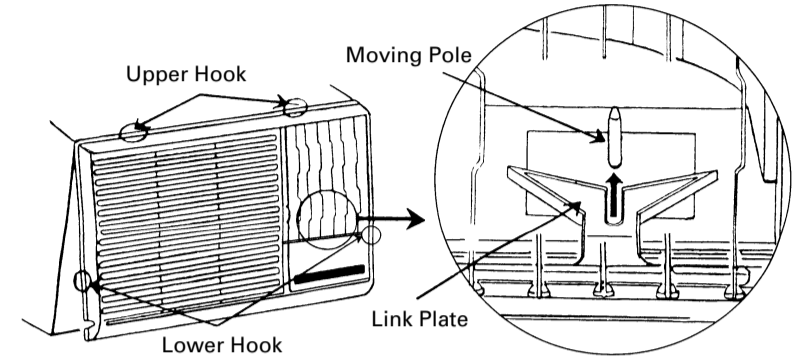


CAUTION

In case of drawing power supply cord from left side
• Pass the power supply cord between front panel and base pan.

- Refit the front panel. (Fig. 12)

Fig. 12



- When installing the front panel, first hang the two upper hooks on the cabinet, and then insert the two lower hooks.

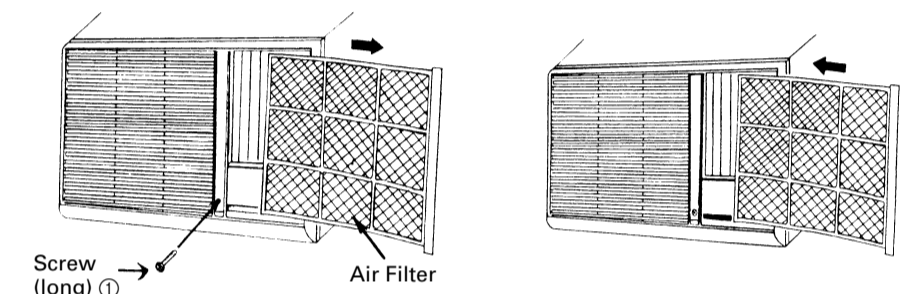
CAUTION

When the front panel refit to the cabinet, be sure to insert the moving pole into the link plate.

- Fit the front panel to the cabinet with a screw (long) ①. (Fig. 13)

Fig. 13

Fig. 14



- When the front panel is fitted to the cabinet with a screw (long) ① remove the air filter from the front panel.

CAUTION

After the front panel is fitted to the cabinet with a screw (long) be sure to install the air filter to the front panel. (Fig.14)

4

POWER SUPPLY

WARNING

- The rated voltage of this product is 230V AC 50Hz.
- Before turning on the power, verify that the voltage is within the 198V to 264V range.
- Always use a special branch circuit and install a special receptacle to supply power to the room air conditioner.
- Use a circuit breaker and receptacle matched to the capacity of the air conditioner. (15A)
- The circuit breaker is installed in the permanent wiring. Always use a circuit that can trip all the poles of the wiring and has an isolation distance of at least 3 mm between the contacts of each pole.
- Do not extend the power cord.
- Install a leakage circuit breaker in accordance with the related laws and regulations and electric company standards.

CAUTION

- The power source capacity must be the sum of the air conditioner current and the current of other electrical appliances. When the current contracted capacity is insufficient, change the contracted capacity.
- When the voltage is low and the air conditioner is difficult to start, contact the power company to have the voltage raised.