



ROOM AIR CONDITIONER

OPERATING MANUAL

Supplied by
FUJITSU GENERAL (AUST.) PTY LIMITED
AGN 001229557
A Subsidiary of **FUJITSU GENERAL LIMITED**

HEAD OFFICE:
SYDNEY 63 Ryde Road, Business Park,
10416 Sainsbury Street, Ryde, NSW 2116 TEL 02 9338 6199

MELBOURNE: 2nd Floor, 16 Wellington Street, Windsor, VIC 3181
(For all Australian enquiries) TEL 03 9510 8669

BRISBANE: 6th Floor, 301 Coronation Drive, Milton QLD 4064 TEL 07 3367 2008

ADLAIDE: 146 Fullarton Road, Rose Park, SA 5067 TEL 08 8364 0588

PERTH: Unit 6, 103 Emerald Road, Balcatta, WA 6021 TEL 09 4325 2011

AK SERIES

7 } 50Hz MODEL
9 }

P/N 9352844010

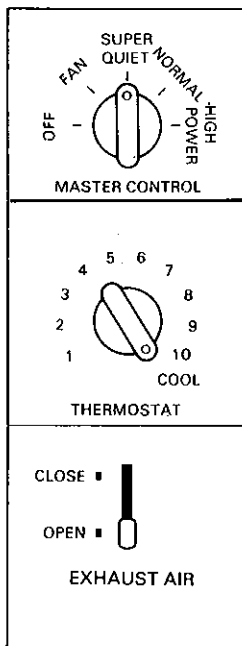
FUJITSU GENERAL LIMITED

Before Starting

In order to enable efficient and trouble-free operation of your air conditioner, connect the power plug of your air conditioner through an exclusive circuit, having a time delay fuse, to the correct power supply described on the rating plate.

Control Panel

Operation controls provided are MASTER CONTROL, THERMOSTAT, EXHAUST AIR.



CONTROL	POSITION	FUNCTION
MASTER CONTROL	OFF	The air conditioner is switched off.
	FAN	Fan only operates at MED speed, without cooling room air is circulated and cleaned.
	SUPER QUIET	Fan (Low speed) and compressor operate at quiet cooling.
	NORMAL	Fan (Medium speed) and compressor operate at intermediate cooling.
THERMOSTAT	1-10	Cooling is automatically controlled according to setting selected. The higher numbers on the dial indicate lower temperature.
	OPEN	Stale air is drawn outside.
EXHAUST AIR	CLOSE	Exhaust vent is closed and recirculates room air.

Cooling

To obtain maximum cooling effect in the hot summer select position HIGH POWER on the master control. Maximum moisture removal, air circulation and dust removal are effected at the same time.

Selection of SUPER QUIET reduces operating noise.

Air Circulation

To maintain a comfortable room temperature an important factor is the circulation of air. Room air can be circulated without cooling by selecting FAN position on the master control.

Air circulation only without cooling effect may also be achieved with the thermostat knob turned counterclockwise to "1" position and with the master control knob at either "cool" position.

Thermostat Control

Once the thermostat is set to the desired temperature, the room temperature will be automatically adjusted without excessive or insufficient cooling and thus a comfortable environment is always maintained.

When cooling, turn the thermostat knob clockwise to increase cooling effect.

The thermostat controls the compressor only and accordingly the fan is constantly circulating air even during the period when the compressor is off during cooling operation.

To stop the cooling operation set the master control OFF position.

1. When you wish to lower the temperature, turn the thermostat control clockwise in the direction of the higher numbers on the dial.
2. When you wish to increase the temperature, turn the thermostat control counterclockwise in the direction of the lower numbers.
3. When the thermostat is set at positions "5", "6" or "7", comfortable room temperatures can usually be obtained. Please note that it is unhealthy for the room temperature to be lower than approximately 22°C.

4. When the thermostat control is positioned at "10", the room-side fin coil may freeze up due to excessively low room temperature (for example, below 18°C) caused by low outdoor temperature at night.

Once the fin coil becomes frozen, the air flow from the air conditioner is restricted by the frost, and the room temperature may rise due to the resultant weak cooling performance of the air conditioner.

Important

When cooling is stopped by means of either the MASTER CONTROL or THERMOSTAT CONTROL do not restart cooling for at least three (3) minutes. If cooling is restarted within this time, the compressor motor will be subjected to an over current and a compressor motor safety device will be actuated. If this occurs, restarting cooling will not be possible for about 20 minutes.

EXHAUST AIR Control

When the air in the room is stale, set the lever to "OPEN". The exhaust vent opens and the stale air is rapidly replaced with fresh air from the outside.

Set the lever to "CLOSE" after sufficient ventilation. The lever should normally be set in this position.

Note: Cooling effect will be reduced when operating EXHAUST AIR "OPEN".

Air Direction Control

Vertical louvres

For vertical air direction, turn the Vertical louvres located at the right-hand and left-hand of the air-outlet grill (See Fig. 1).

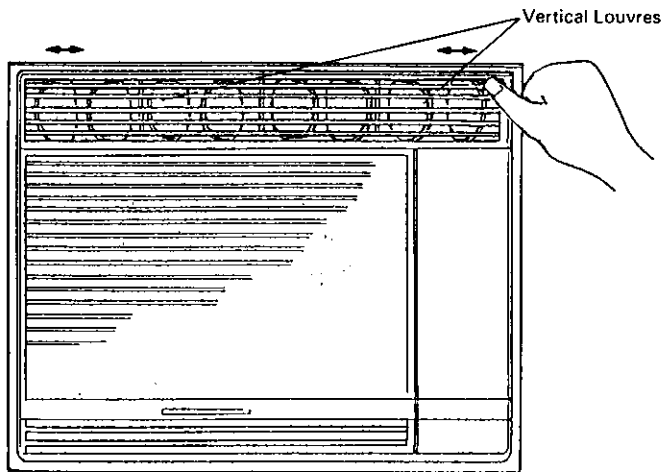


Fig. 1

Horizontal louvres

For horizontal air direction control, rotate the Horizontal louvres upward, or downward (See Fig. 2).

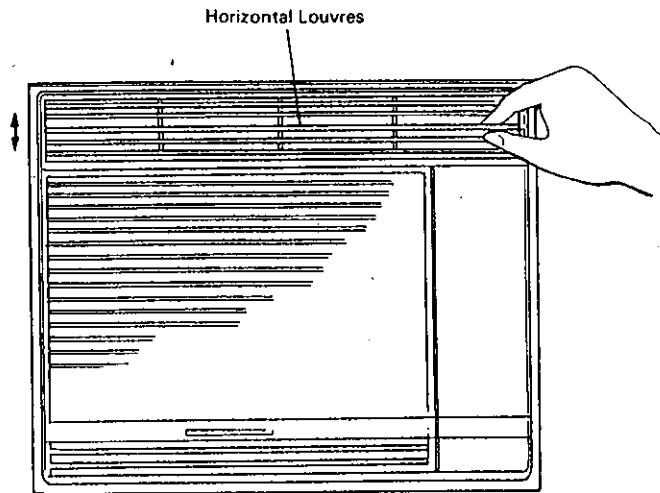


Fig. 2

Room Air Filter

A filter is provided on the rear of the panel. Since the function of this filter is to filter dust and dirt in the air, please wash it regularly with clean water before it becomes clogged with dust. If it is very dirty, rinse it in a synthetic detergent before washing in clean water. Allow the filter to dry thoroughly in the shade after washing.

Remove the filter from the Front panel assembly by pulling rightward (See Fig. 3).

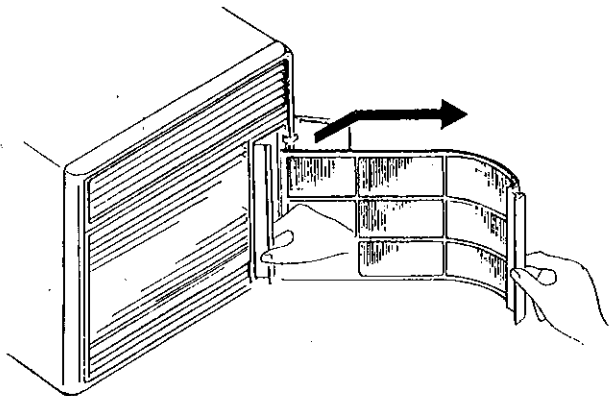


Fig. 3

How to Remove and to Refit the Front Panel

Remove the front panel in the following manner

- (1) Remove the filter from the front panel by pulling rightward and remove the screw which secure the front panel (Fig. 4).
- (2) Hold the bottom edge of the front panel and lift up to the front by pushing leftward (Fig. 5).

Refit the front panel in the following manner

- (1) Insert the two clips on the upper part of the panel into the two slots on top of the cabinet.
- (2) Push the bottom of the panel into engage the remaining a clip at the left side bottom corner.
- (3) Fasten the screw and attach the filter.

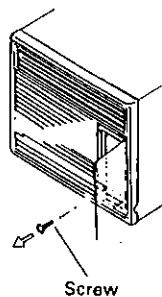


Fig. 4

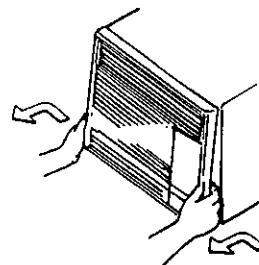


Fig. 5

Note:

1. A fuse may blow when a particularly large demand for electricity, which exceeds the capacity of the fuse, occurs in your home or when the voltage of the main power line drops due to some fault. If the fuse blows again after replacement with a new one, please call your dealer or service company.
2. Your air conditioner also acts to dehumidify the room air and to expel the water produced, therefore drops of water emitting from the outside of the unit is quite normal.
3. The noise level of your air conditioner may be felt to be higher at night than during the day. This is quite normal. This results from the fact that environmental noise level is lower at night so the noise level of the air conditioner is felt to be relatively higher.

Things to Do Before Calling a Serviceman

1. If your air conditioner does not operate check the following items before calling for service.
 - a) Check that the power plug is properly connected to the power socket.
 - b) Check your fuses.
2. When cooling effect is not obtained even with the air conditioner operating make the following checks.
 - a) Check that the thermostat setting is higher than the room temperature.
 - b) Check the filter. A clogged filter will reduce cooling efficiency. When a filter is excessively dirty cooling coils may ice up.

- c) If the cooling coils are iced up, wash the filter. To get rid of the ice quickly, operate the air conditioner with the master control knob on "FAN" position until all the ice has gone.

General Information

1. When the ambient temperature drops to 21°C (70°F) or less, icing-up may occur on the inside cooling coils, and is quite normal (when cooling).
2. The compressor motor does not require lubrication as it contains sufficient oil.
3. No lubrication is required for the bearings of the fan motor as dust shielded ball bearings containing grease are fitted.



FUJITSU GENERAL LIMITED
1116, Suenaga, Takatsu-ku, Kawasaki 213, Japan